



Total Cubicle Solutions
Equus Range

Equus Range

Introducing a new dimension in washrooms.

When you require a solution that just works, Equus provides the answer! Suitable for pools or high traffic areas, Nubis offers an attractive, cost effective solution.

Manufactured in high quality, 40mm compact grade laminate, the system is versatile and is suitable for WC, shower and changing room applications.

Equus' colour flexibility has always been a key feature, providing customers with contrasting colours to highlight components and to bring creative flair into the washroom. Total Cubicle Solutions has raised expectations by introducing 42 stimulating colours, providing you with the optimum colour palette to deliver innovative washroom solutions.

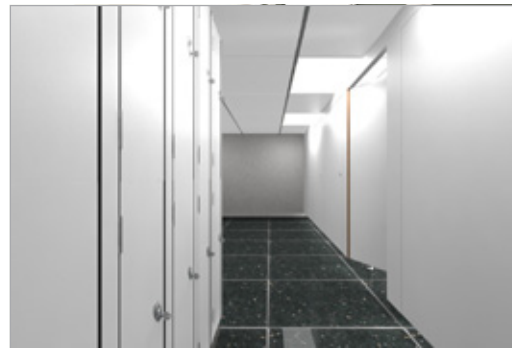
To comply with new Building Regulations, part M, Total Cubicle Solutions has added enlarged and ambulant cubicle options to the Equus range. Together with our service promise, you are now in the position to specify, with confidence, a stunning washroom installation for any market sector, at an economical price.

Total Cubicle Solutions take pride in providing a personalised, professional and cost effective service and can recommend Equus in the following applications:

- Hospitals
- Health Centres
- Sports Stadiums
- Schools and Colleges
- HM Prisons
- Night Clubs and Industrial applications.

Total Cubicle Solutions can offer a fast turnaround for the tightest of deadlines and having built up a reputation for superb after sales support, our goal is to supply your cubicles with the minimum of fuss, ensuring that from the start to finish, your project runs smoothly.

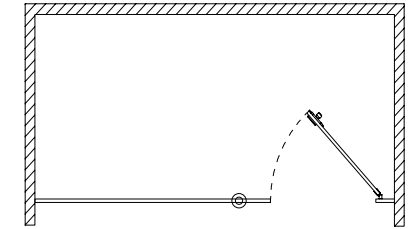
All this, and the added reassurance that you are dealing with people with over 75 years experience in the industry.



Toilet Cubicle Layout Options

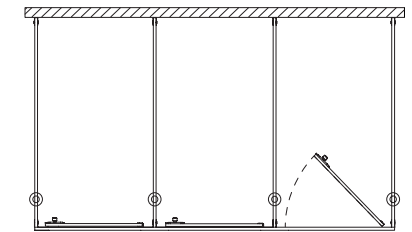
Single Cubicle

(SI)



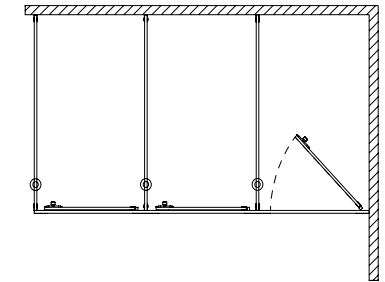
Free Standing

(FS)



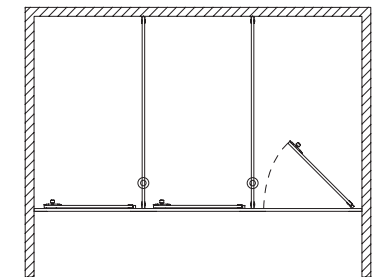
Open Ended

(OE)



Between Walls

(BW)



Units 5-7, Luton Street
Liverpool
L5 9XR

T: 0844 800 7785
F: 0844 800 7738
E: sales@totalcubicles.co.uk

Fittings and Accessories

Equus fittings are built to stand the test of time. They come in an attractive satin finish to contrast with the Equus range colour options

Lock

T201



Keep

T270



Half Leg Support

T340



Hinges

T100



Coat Hook

T501



Disabled Handle

TCDDH



Channel Headrail

2000mm



T-Nut

TCTNUT



Units 5-7, Luton Street
Liverpool
L5 9XR

T: 0844 800 7785
F: 0844 800 7738
E: sales@totalcubicles.co.uk

Installation Instructions

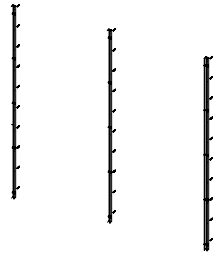
Please look over the enclosed drawings to familiarise yourself with the parts required to construct your cubicle. Check that the sizes you have provided for manufacture are correct and match the sizes on site.

Installing The Partitions

Please Note: We no longer pre-drill the partitions as Soil Stacks and Window Placements can compromise the fitting position. Normally our Cubicles are divided equally along the wallspace except where Ambulant or Disabled Cubicles are to be implemented.

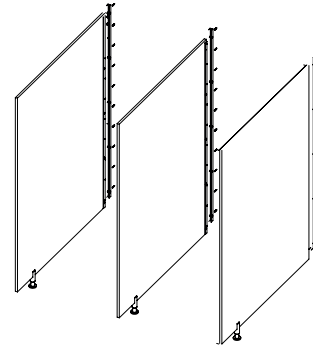
Step 1

Fix the partition Channel Brackets to the rear wall using 35x4mm posi screws and red plugs.



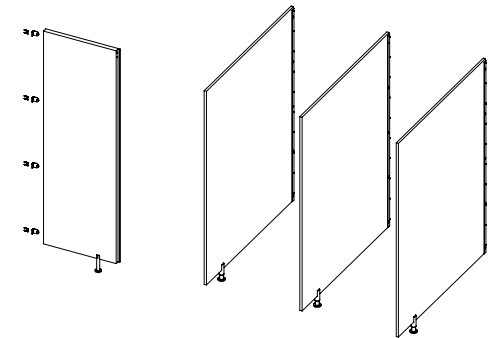
Step 2

The partition should be set 150mm off the floor on the adjustable leg provided. Ensure the partition legs are secured utilizing 70mm x 4 screw fixings and red plugs to the concrete floor. Next tighten the Allen head to clamp down securely on the partition. Ensure the partition legs are shimmed to provide a snug fit to the partition.



Step 3

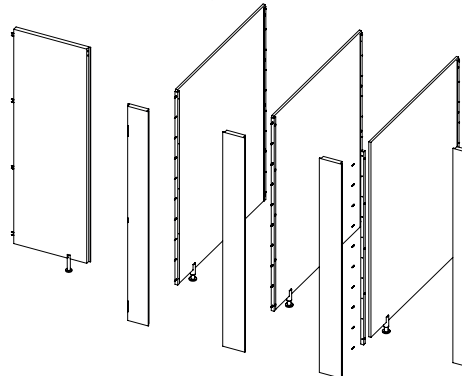
Install the end pilasters back to the wall on the brackets provided, using 35x4mm posi-screws and plugs. Secure bracket to the 40mm thick pilaster with 35mm screw. Set the pilaster height 150mm up from the floor to match the partition height.



Installing Pilasters

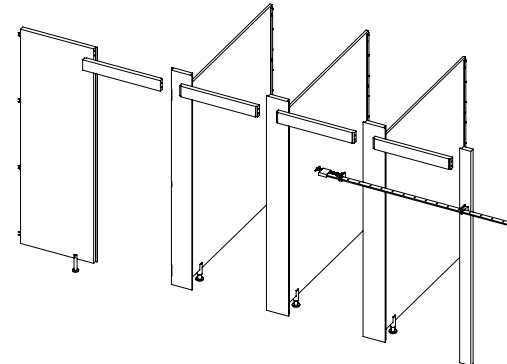
Step 4

Fit the channel bracket centrally to the back of the pilaster, pilot with 2mm hss drill bit 5mm deep and fix with 35mm screws. Fit the pilaster to the partition by bolting through with 4 x T-nuts and counter sunk backs provided. Tighten securely with an Allen key. Ensure the wall and pilaster channel brackets are tensioned to clamp firmly to the partition.



Step 5

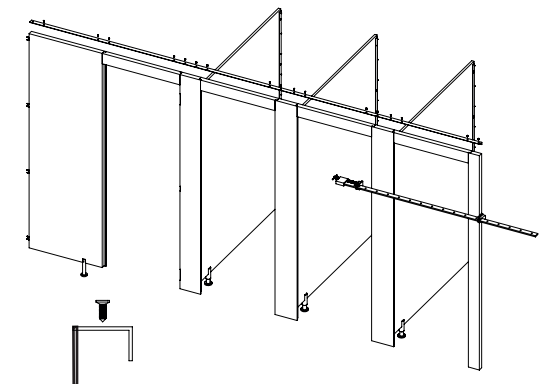
Next fit infills in door apertures, firstly insert colour fill near to the edge of rebated sides on the infill before applying clamps. Use sash clamps to bring the pilasters together giving the infill a snug fit. Fix with 35mm screws through the headrail (As shown in Step 6). Wipe excess colour fill along joint for a clean finish.



Check Measurements

Step 6

The channel headrail braces the whole cubicle construction, so correct fitment of this item is essential. Start by cutting the headrail to the correct length. Next, fit the rail over the pilasters and infills. Lay the larger part of the L on the top and secure with 35mm screws every 100mm (from the top). As shown in pic A. Use sash clamp to tighten infills between the pilasters.



Units 5-7, Luton Street
Liverpool
L5 9XR

T: 0844 800 7785
F: 0844 800 7738
E: sales@totalcubicles.co.uk

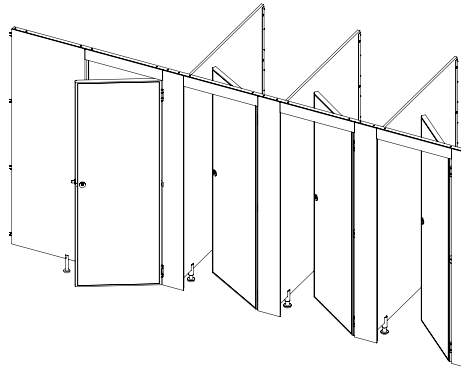
Installation Instructions

Please look over the enclosed drawings to familiarise yourself with the parts required to construct your cubicle. Check that the sizes you have provided for manufacture are correct and match the sizes on site.

Installing Pilasters

Step 7

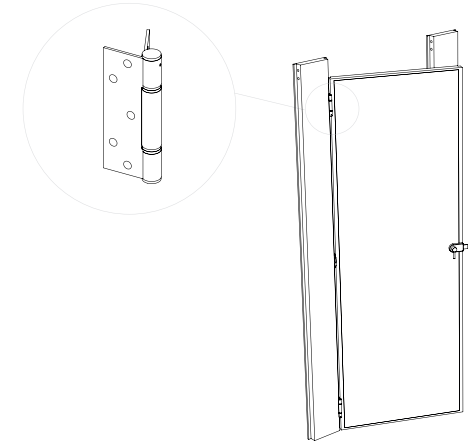
Finally hang the doors. Marry up the hinges on the doors with the rebates on the pilasters. Use 70mmx4.5mm screws to secure the hinges. Only use one of the pins in one of the hinges to ensure soft closure.



Step 8

The doors provided should have a 3mm gap all around. The doors should now be fitted insuring the rebate is flush to make a flat surface between door and pilasters.

Use the 70mmx4.5mm screws piloted to a depth of 20mm to fit the hinges.



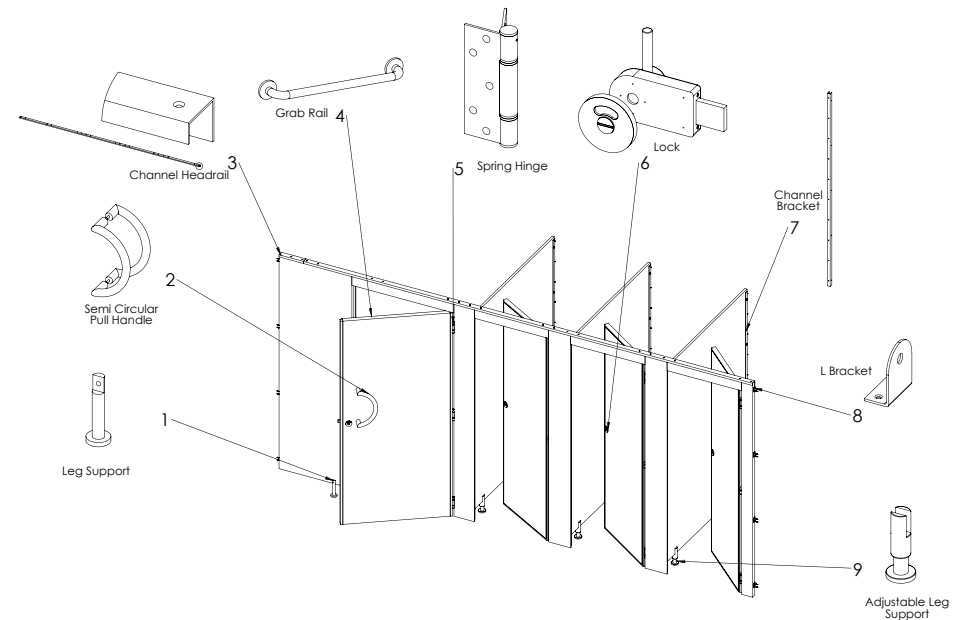
Please Note:

The spring on the hinge can be adjusted to swing open or closed. To change the operation of the closure, use an allen key to rotate the spring and insert the pin where necessary.

Step 9

Fit hat, coat hook and toilet roll holders at the desired height using the 20x4mm B2P screws piloted to 15mm depth.

Please Note: We can, upon request, provide T-Nuts so pilaster are bolted through. This is sometimes a more robust solution when vandalism is prevalent, though standard construction is aesthetically more pleasing to look at than the bolt through option.



Units 5-7, Luton Street
Liverpool
L5 9XR

T: 0844 800 7785
F: 0844 800 7738
E: sales@totalcubicles.co.uk